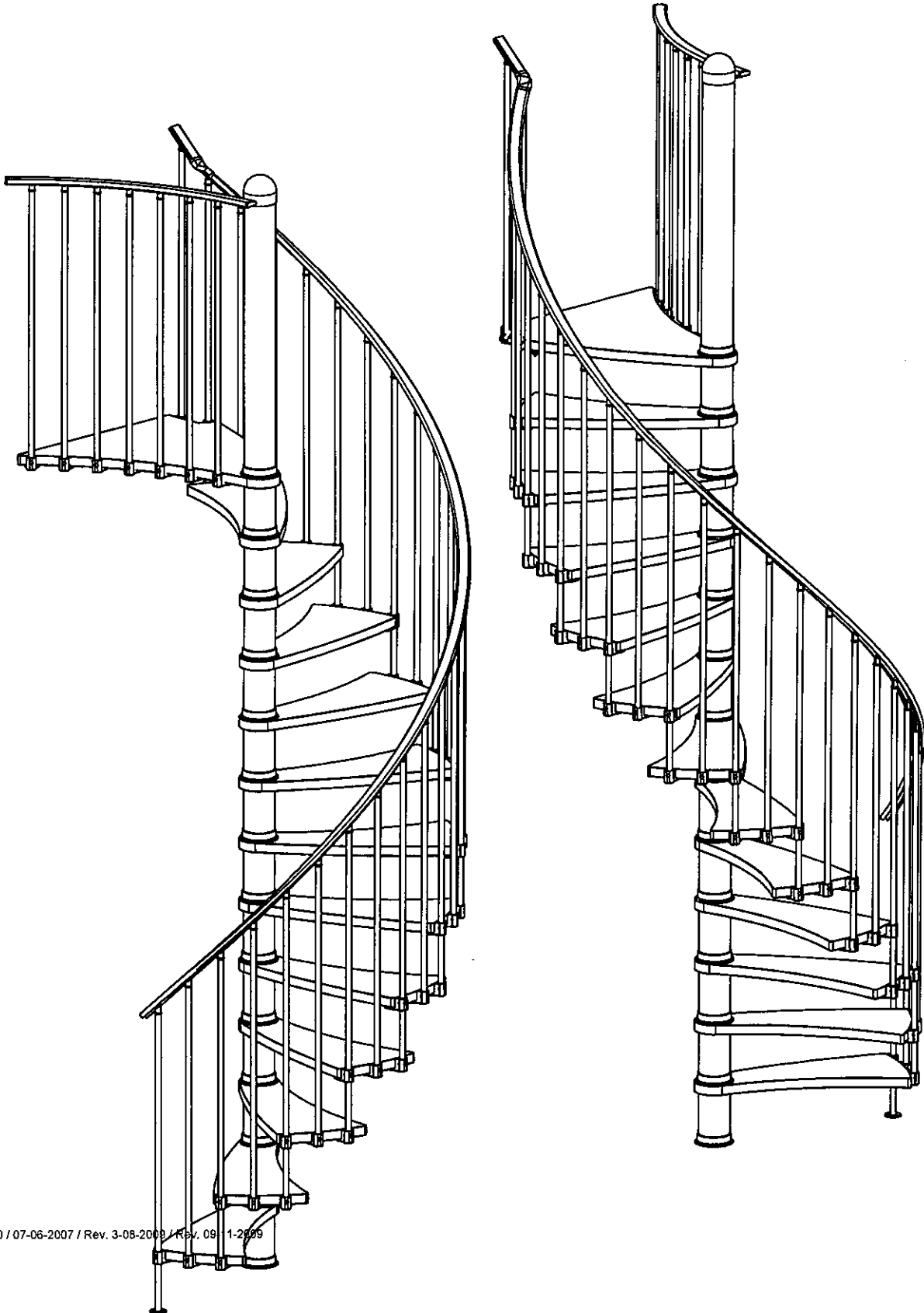
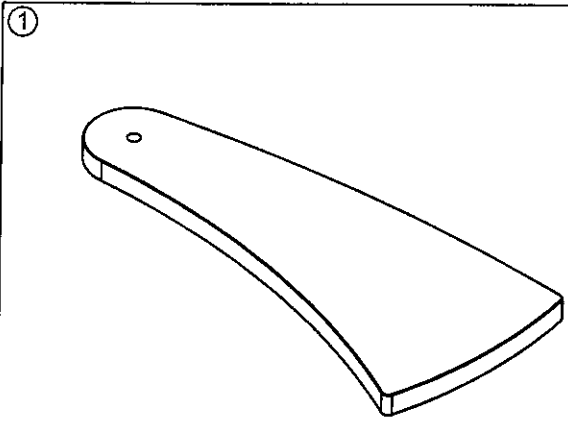
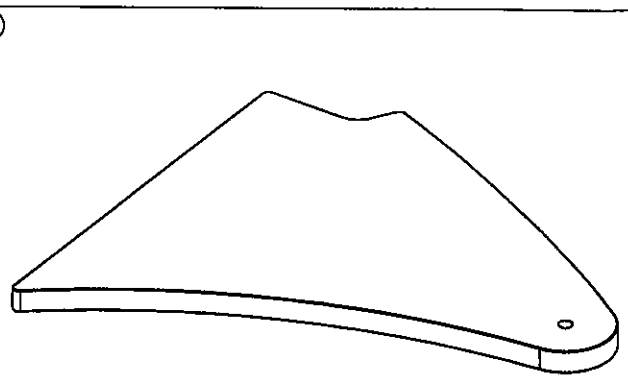


VALENCIA

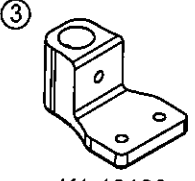




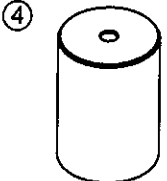
①
K1-19010: Ø130cm
K1-19020: Ø150cm
12 st | pcs



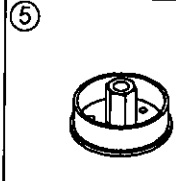
②
K1-19061: Ø130cm
K1-19071: Ø150cm
1 st | pcs



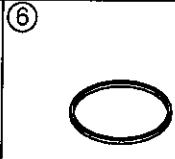
③
K1-19160
Ø130cm: 44 st | pcs
Ø150cm: 45 st | pcs



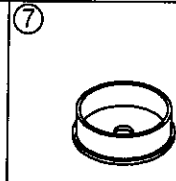
④
K2-19140
13 st | pcs



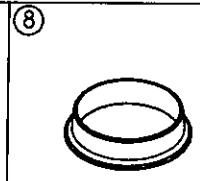
⑤
K2-19100
1 st | pcs



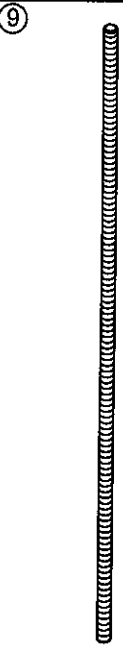
⑥
K1-14011
65 st | pcs



⑦
K2-19130
13 st | pcs



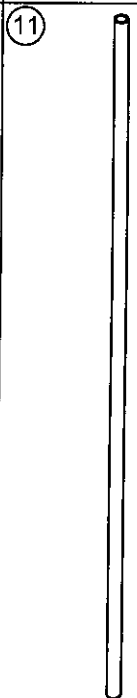
⑧
K1-19120
14 st | pcs



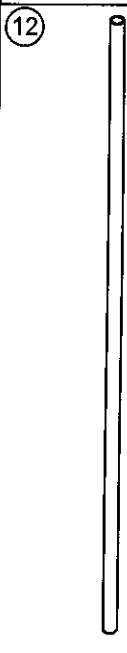
⑨
K3-07012
3 st | pcs



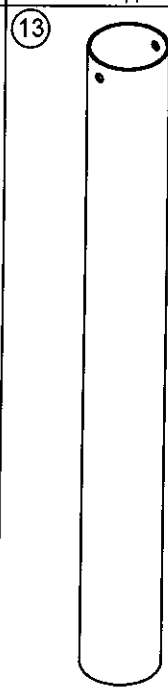
⑩
K2-19180
1 st | pcs



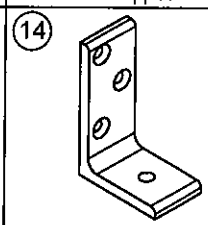
⑪
K1-19200
12 st | pcs



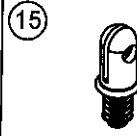
⑫
K1-19190
Ø130cm: 19 st | pcs
Ø150cm: 20 st | pcs



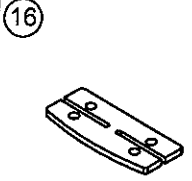
⑬
K2-19230
1 st | pcs



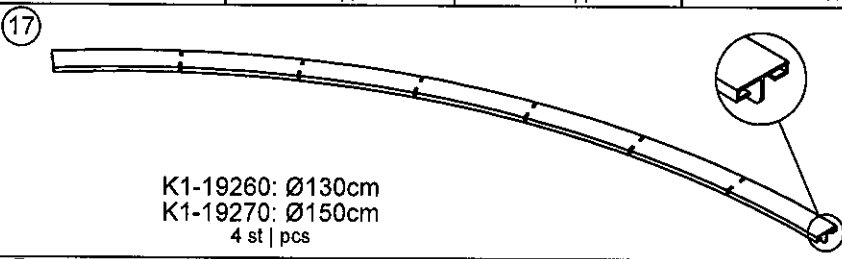
⑭
K1-19350
3 st | pcs



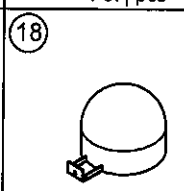
⑮
K1-19170
Ø130cm: 32 st | pcs
Ø150cm: 33 st | pcs



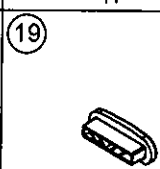
⑯
K1-19290
3 st | pcs



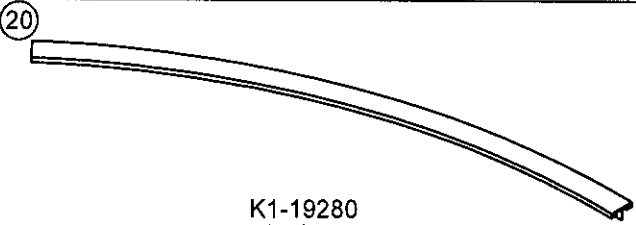
⑰
K1-19260: Ø130cm
K1-19270: Ø150cm
4 st | pcs



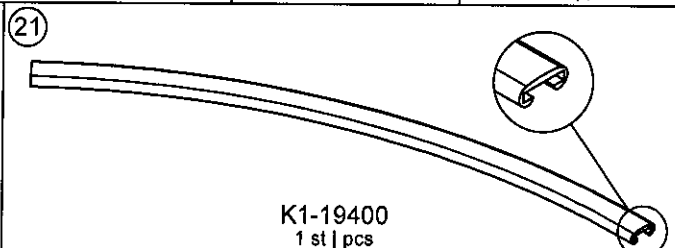
⑱
K2-19240
1 st | pcs



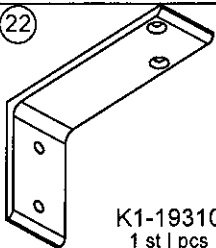
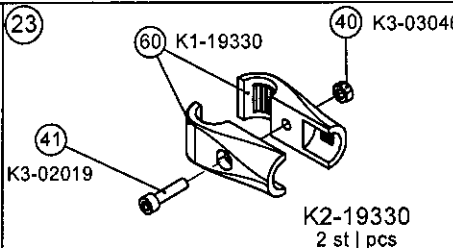
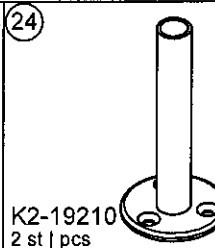
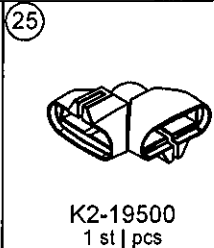
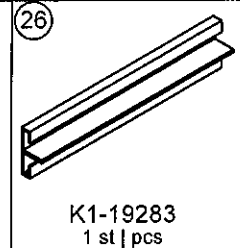
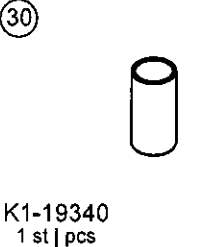
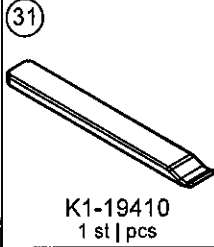
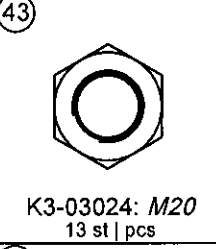
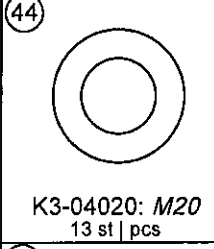
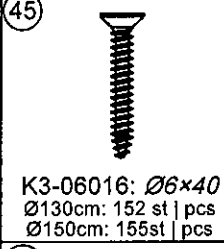
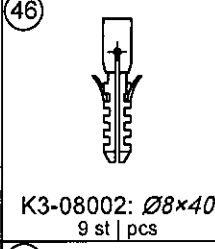
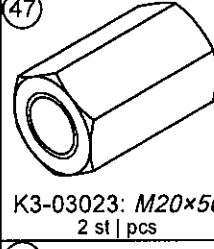
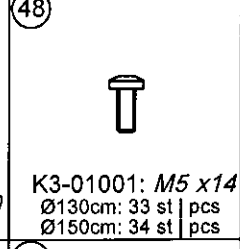
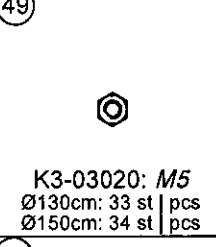
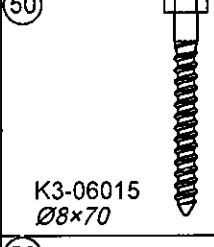
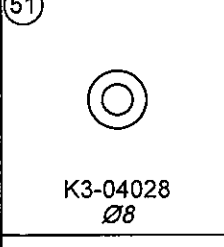
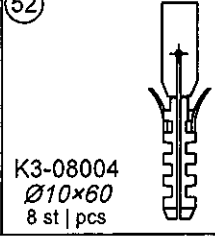
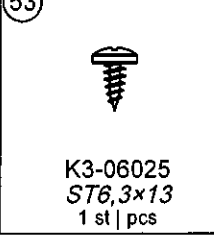
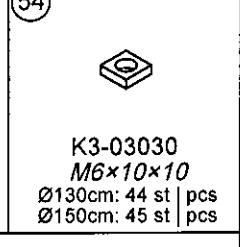
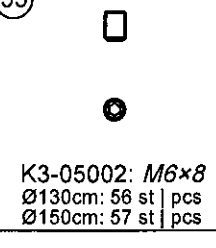
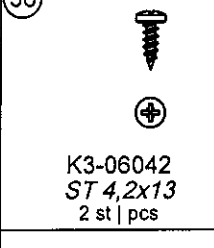
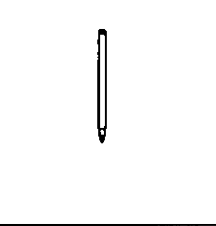
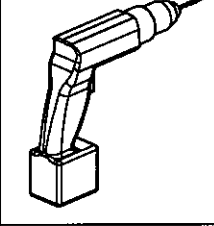
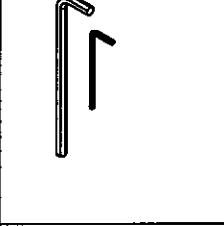
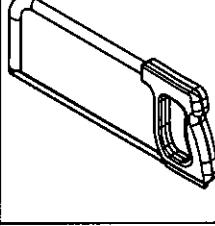
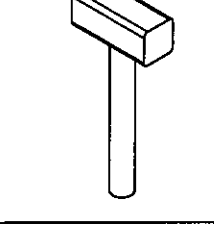
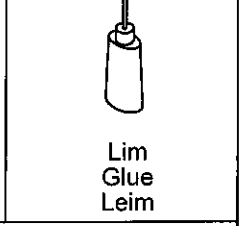
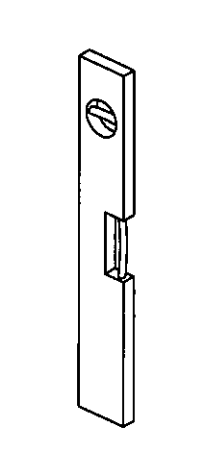
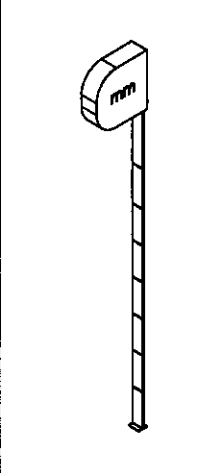
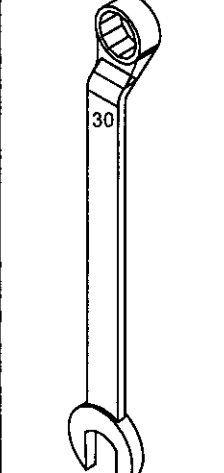
⑲
K1-19320
4 st | pcs



⑳
K1-19280
1 st | pcs

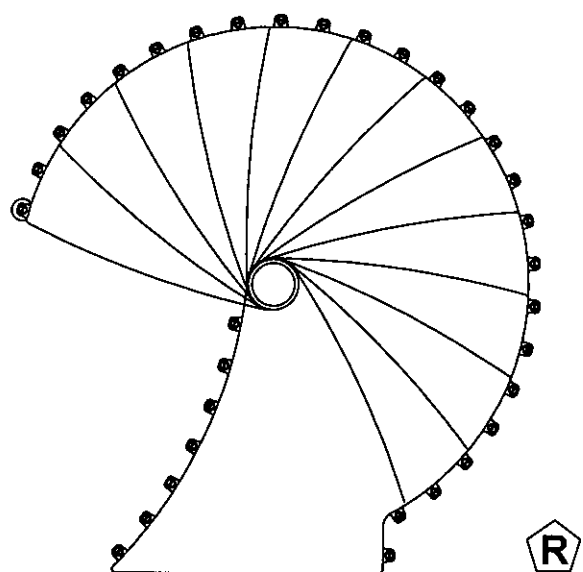
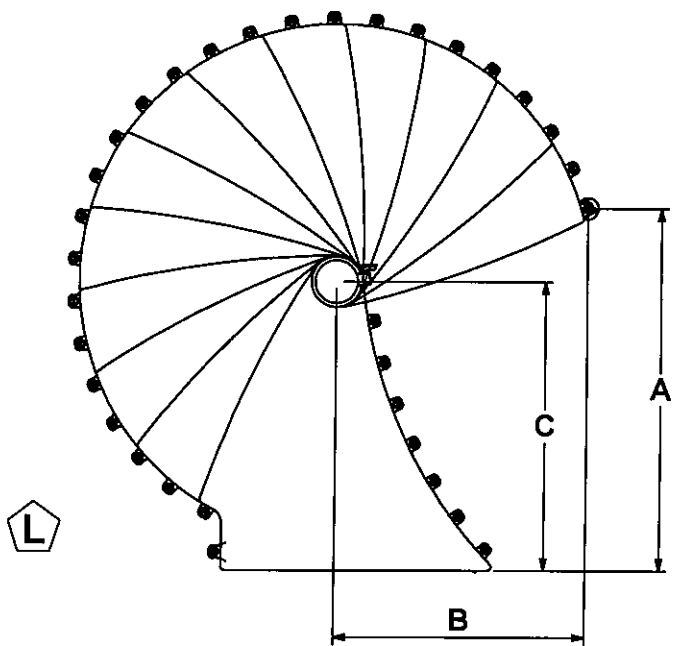


㉑
K1-19400
1 st | pcs

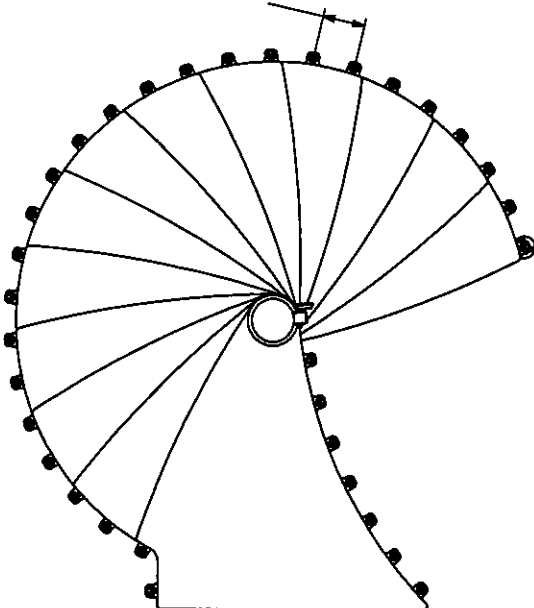
 <p>22 K1-19310 1 st pcs</p>	 <p>23 K1-19330 K2-19330 K3-03046 K3-02019 2 st pcs</p>	 <p>24 K2-19210 2 st pcs</p>	 <p>25 K2-19500 1 st pcs</p>	 <p>26 K1-19283 1 st pcs</p>	
 <p>30 K1-19340 1 st pcs</p>	 <p>31 K1-19410 1 st pcs</p>				
 <p>43 K3-03024: M20 13 st pcs</p>	 <p>44 K3-04020: M20 13 st pcs</p>	 <p>45 K3-06016: Ø6x40 Ø130cm: 152 st pcs Ø150cm: 155st pcs</p>	 <p>46 K3-08002: Ø8x40 9 st pcs</p>	 <p>47 K3-03023: M20x50 2 st pcs</p>	 <p>48 K3-01001: M5 x14 Ø130cm: 33 st pcs Ø150cm: 34 st pcs</p>
 <p>49 K3-03020: M5 Ø130cm: 33 st pcs Ø150cm: 34 st pcs</p>	 <p>50 K3-06015 Ø8x70</p>	 <p>51 K3-04028 Ø8</p>	 <p>52 K3-08004 Ø10x60 8 st pcs</p>	 <p>53 K3-06025 ST6, 3x13 1 st pcs</p>	 <p>54 K3-03030 M6x10x10 Ø130cm: 44 st pcs Ø150cm: 45 st pcs</p>
 <p>55 K3-05002: M6x8 Ø130cm: 56 st pcs Ø150cm: 57 st pcs</p>	 <p>56 K3-06042 ST 4,2x13 2 st pcs</p>				
					 <p>Lim Glue Leim</p>
					

Ø 130 cm	S	V	A	B	C
	mm	°	mm	mm	mm
	120	21,6	481	596	700
	125	22,6	364	539	700
	130	23,5	267	465	700
	135	24,4	187	375	700
	140	25,3	126	272	700

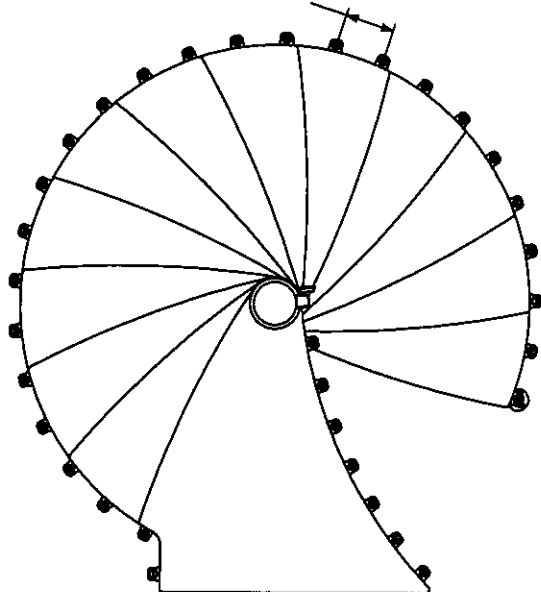
Ø 150 cm	S	V	A	B	C
	mm	°	mm	mm	mm
	120	18,7	1005	706	800
	125	19,5	882	731	800
	130	20,3	762	734	800
	135	21,1	643	718	800
	140	21,8	537	687	800

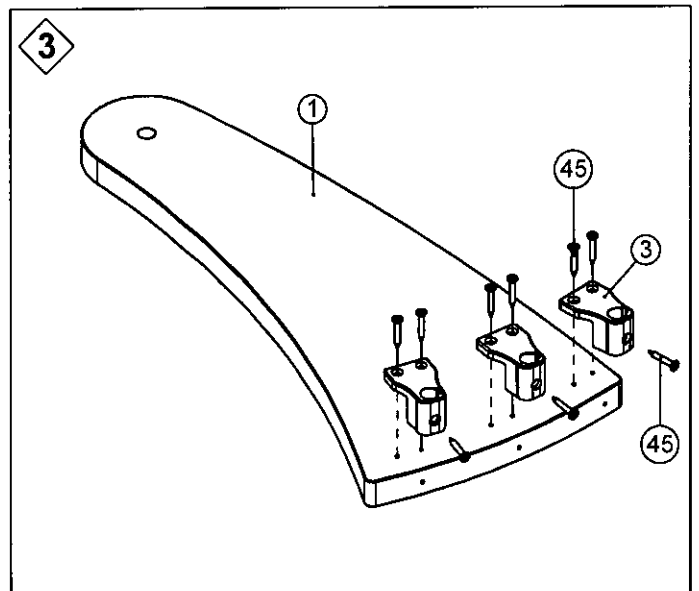
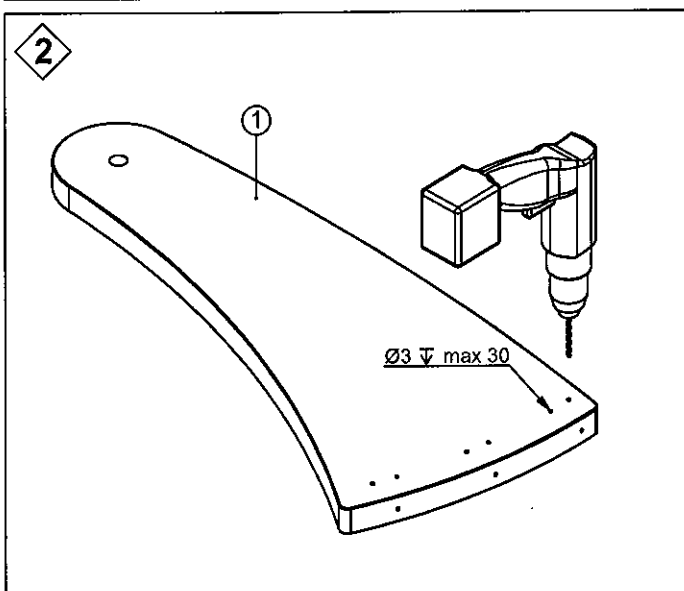
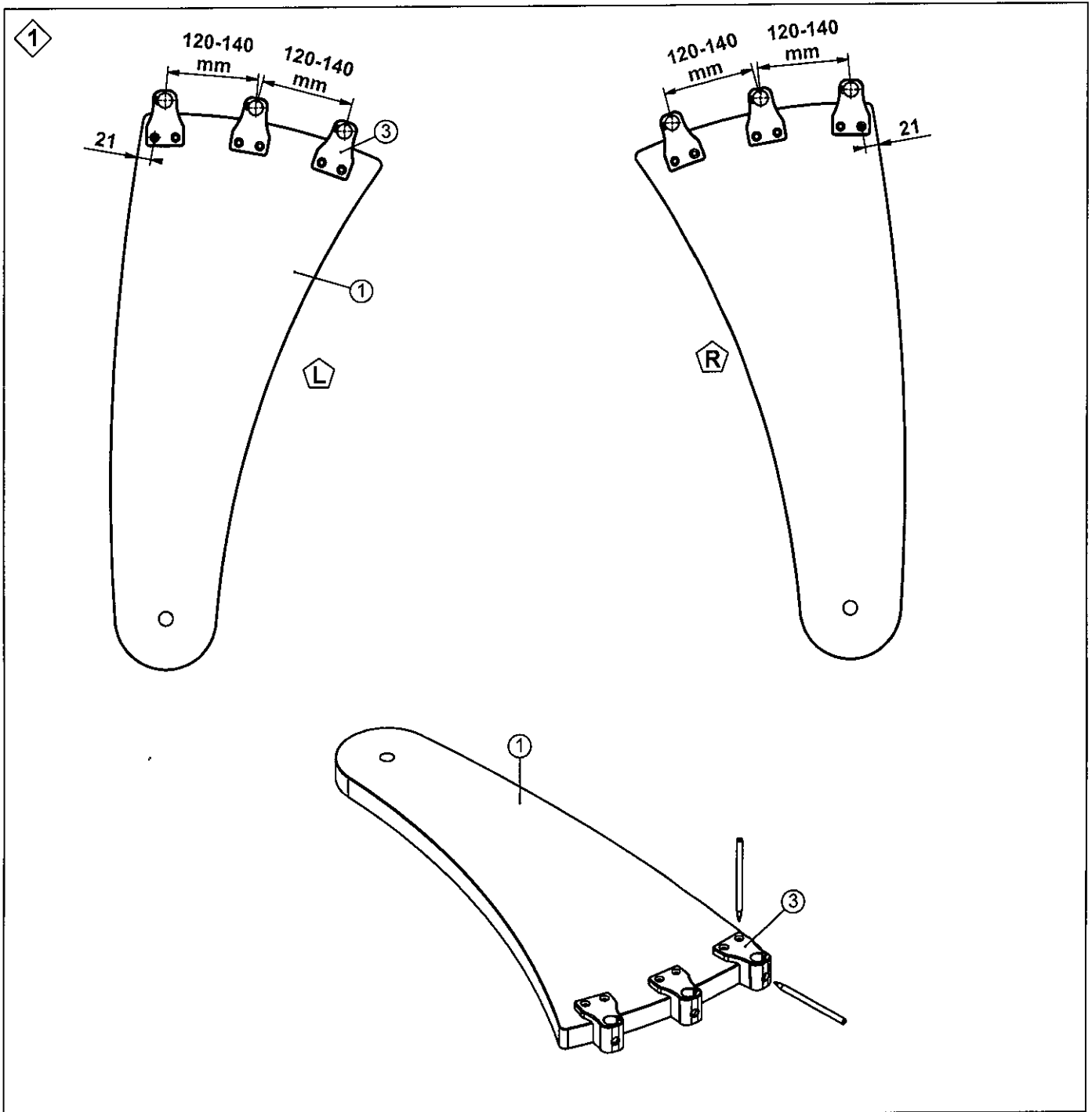


S = 120 mm

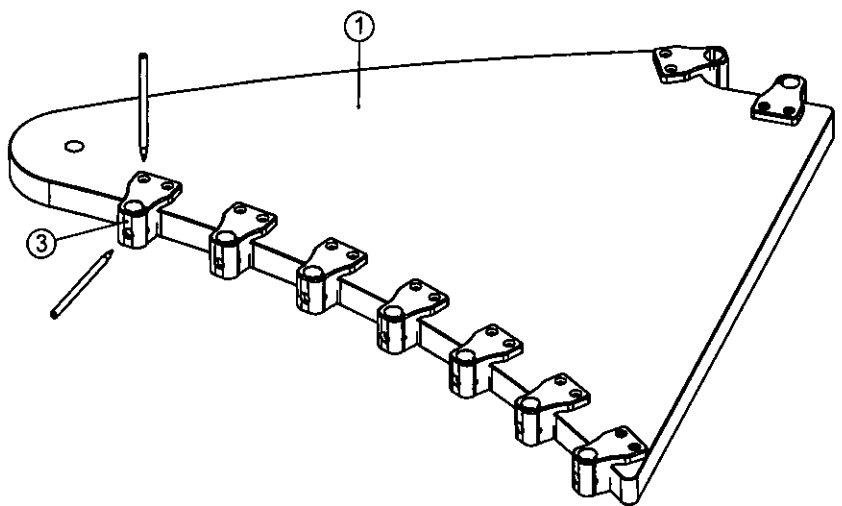
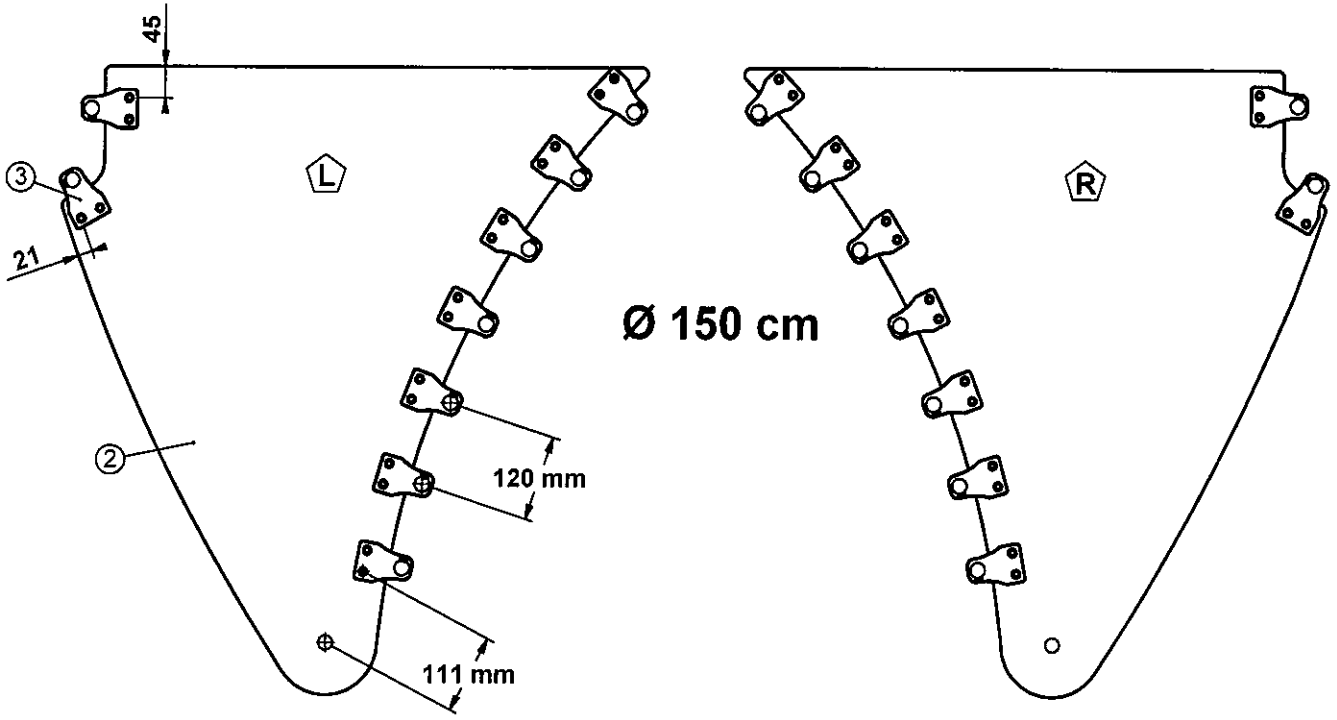
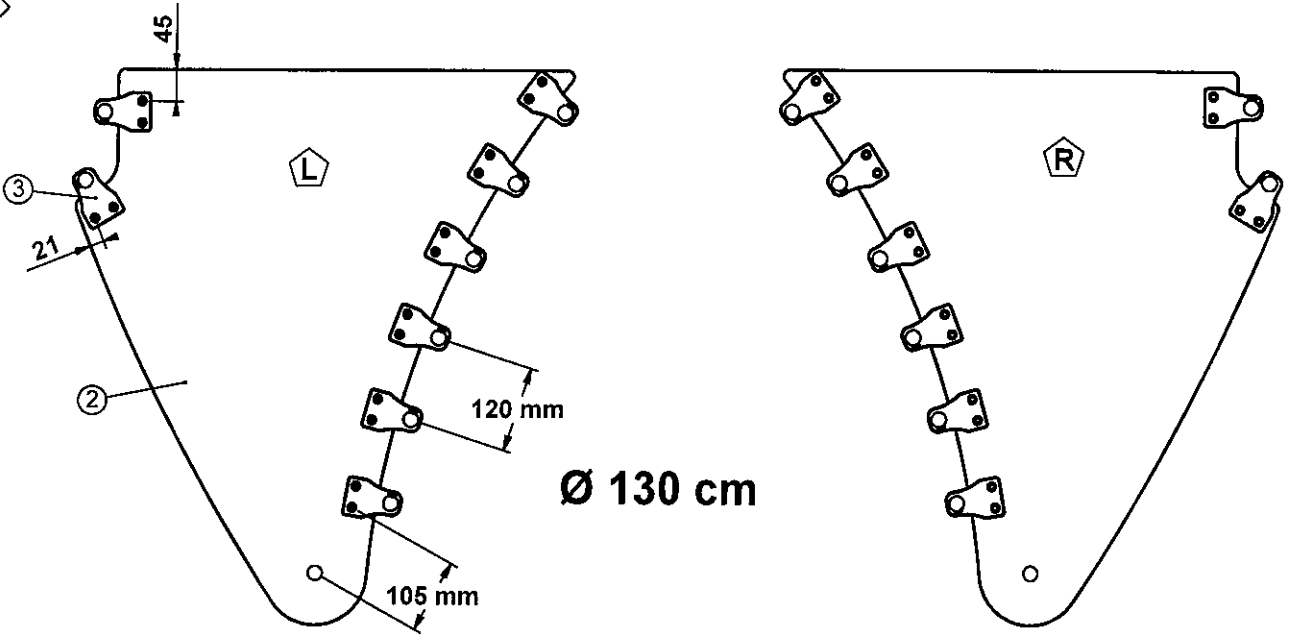


S = 140 mm

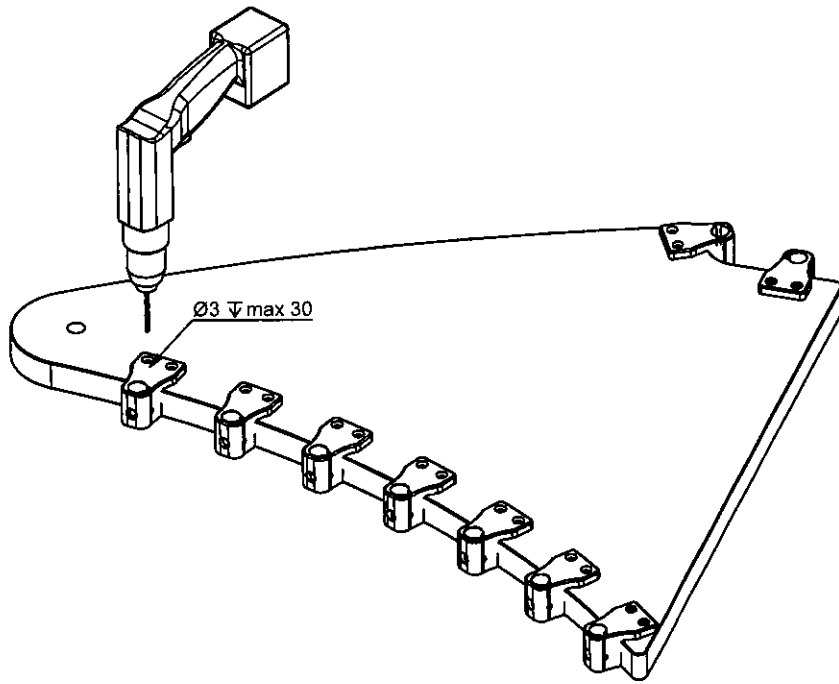




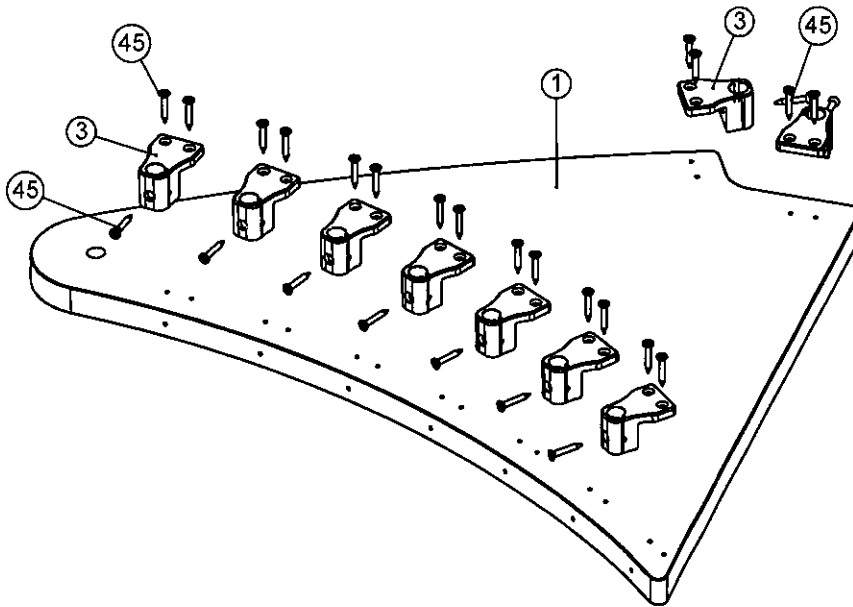
4



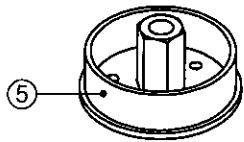
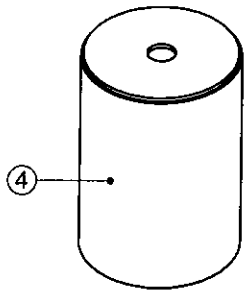
5



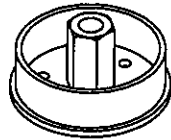
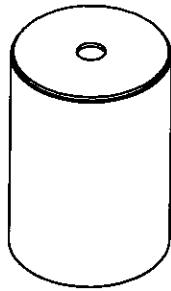
6



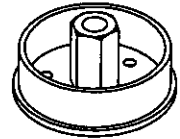
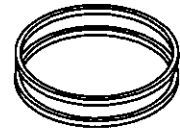
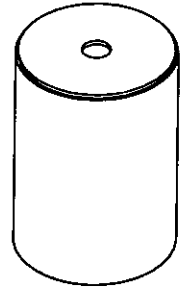
200 mm



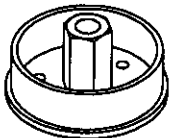
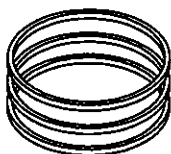
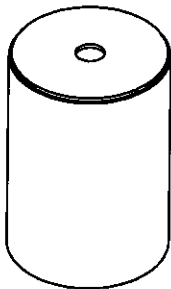
205 mm



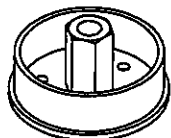
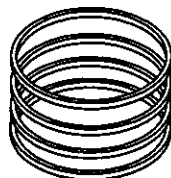
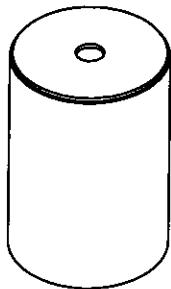
210 mm



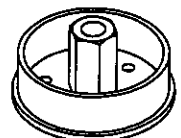
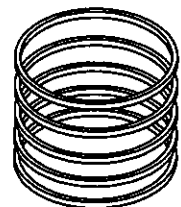
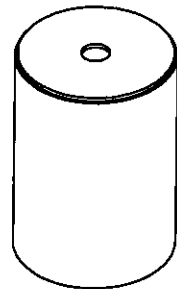
215 mm



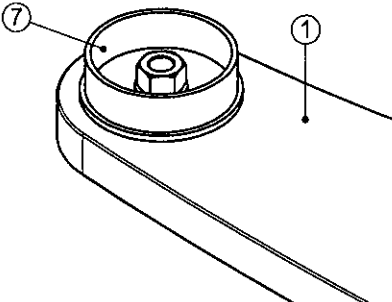
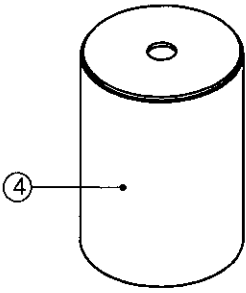
220 mm



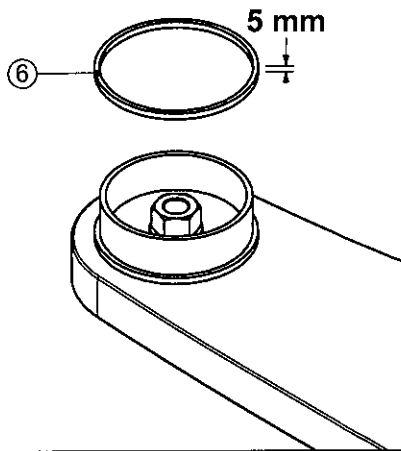
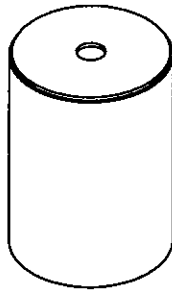
225 mm



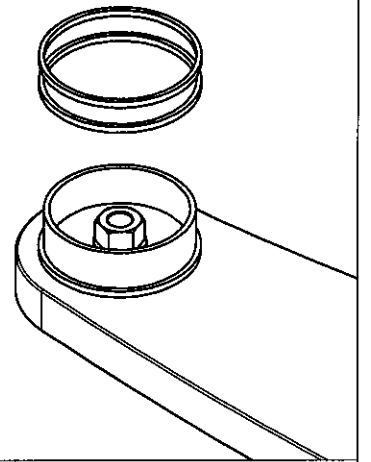
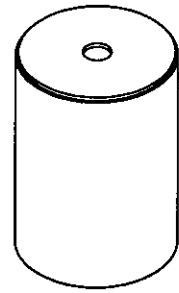
200 mm



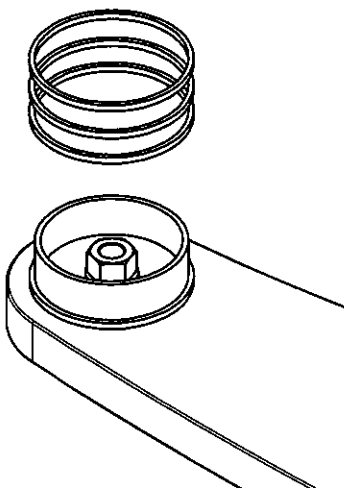
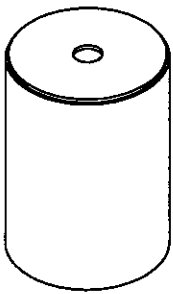
205 mm



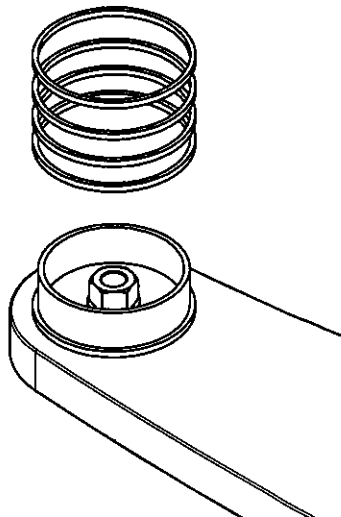
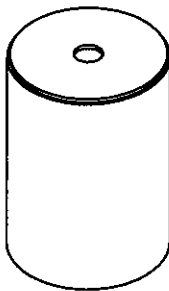
210 mm



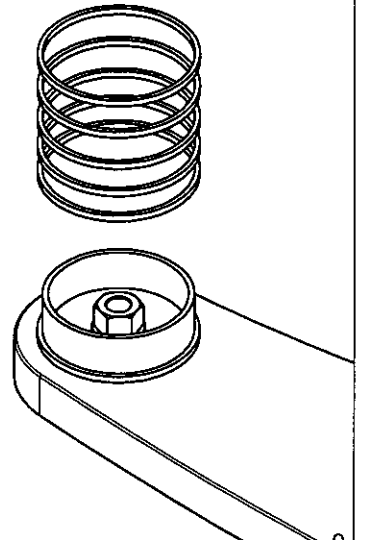
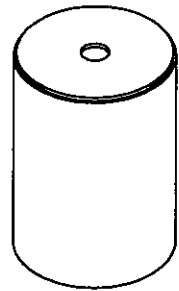
215 mm

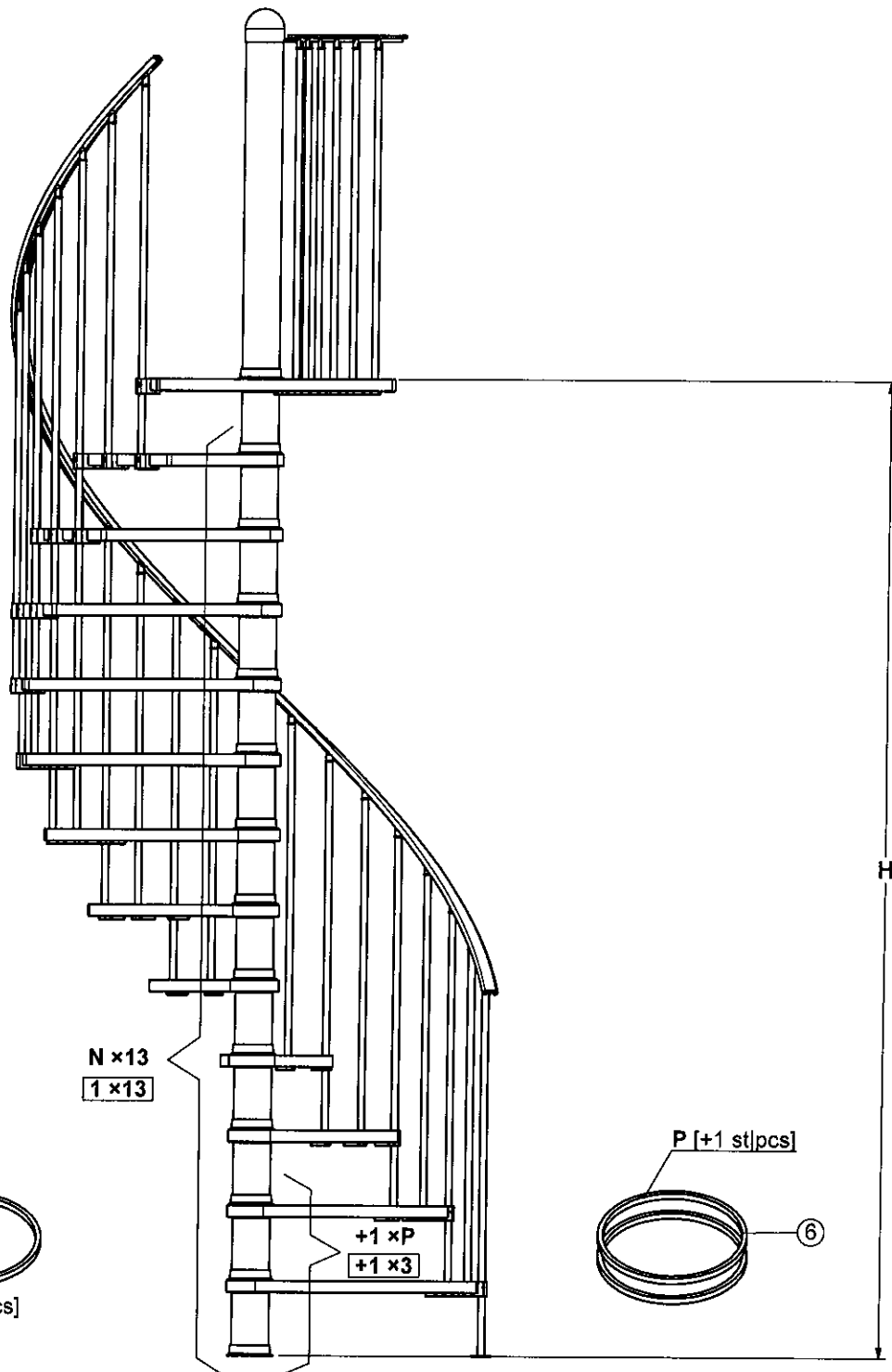


220 mm



225 mm



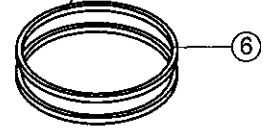
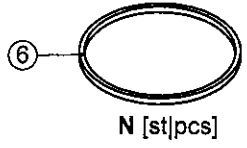


H 2680 mm

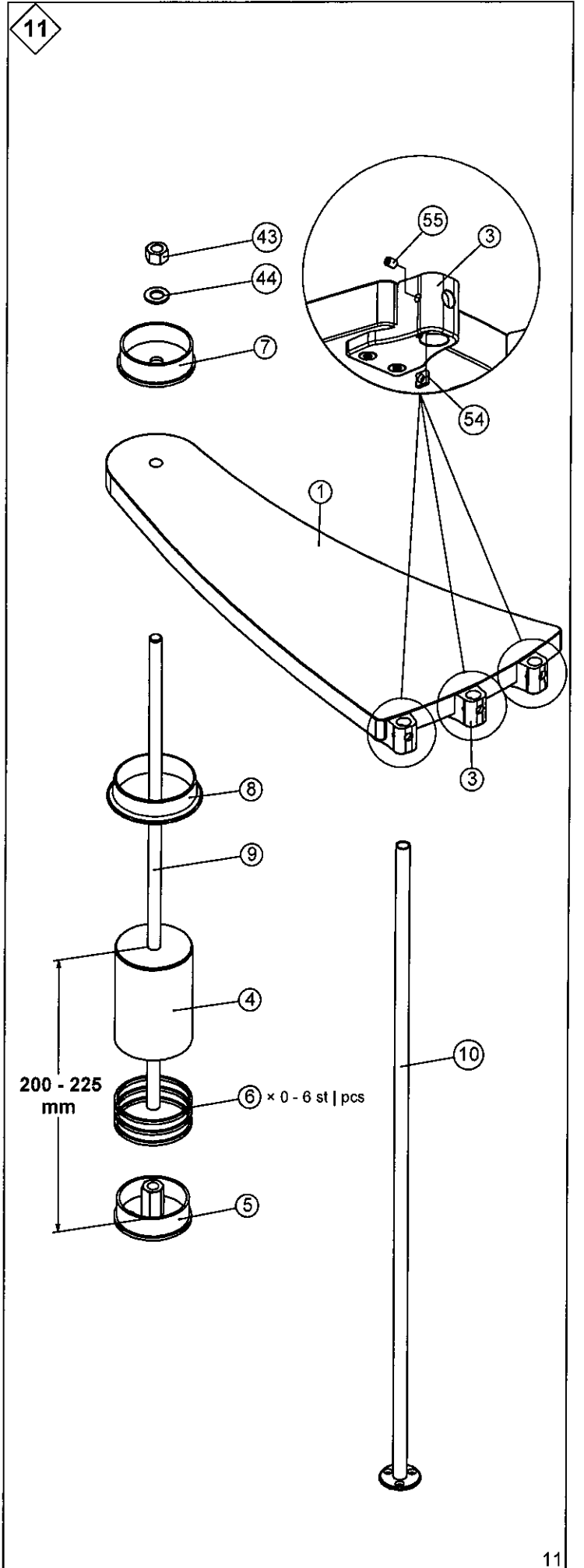
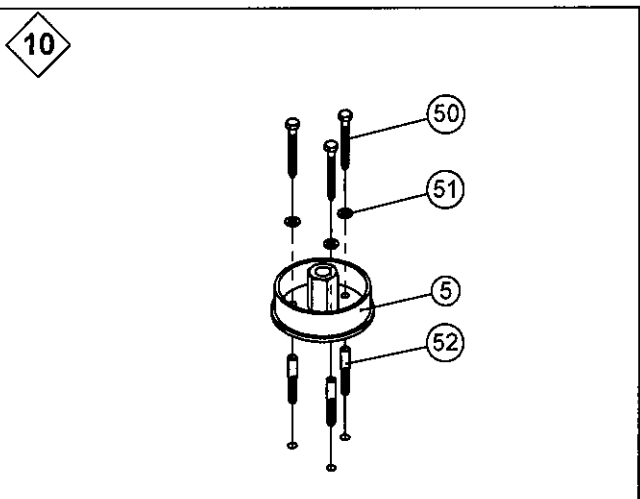
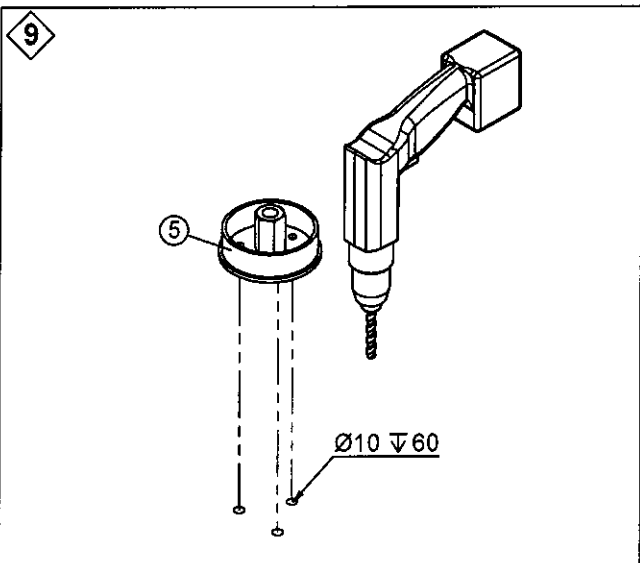
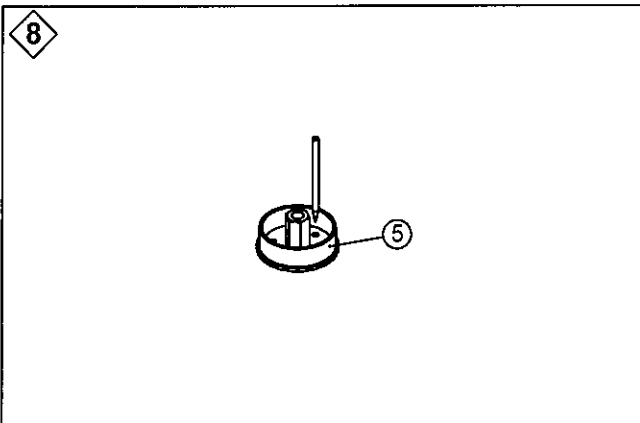
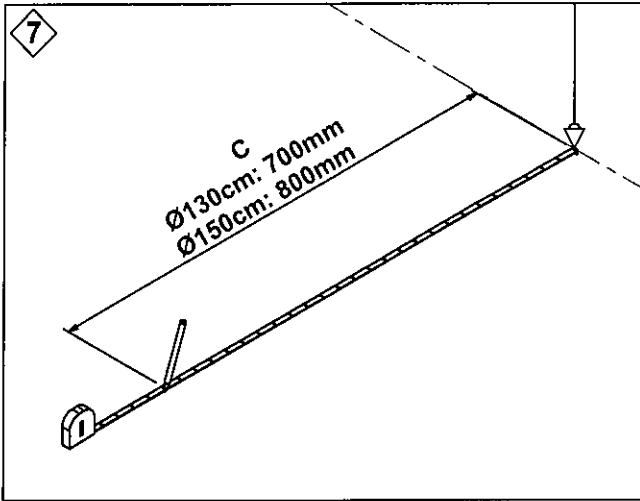
N x 13
1 x 13

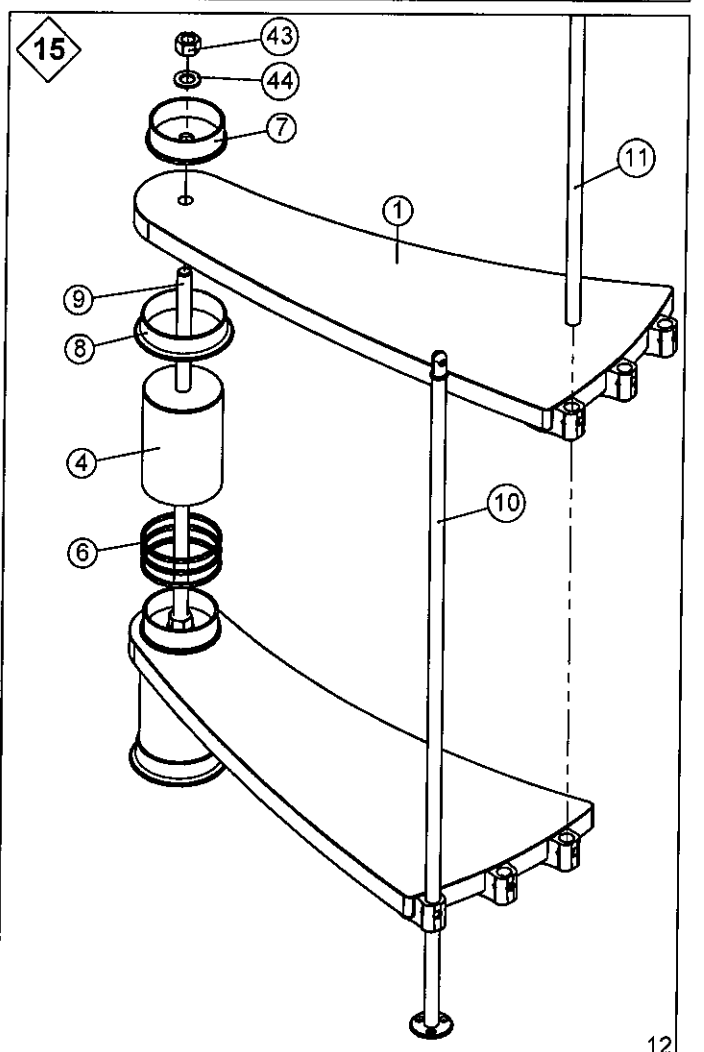
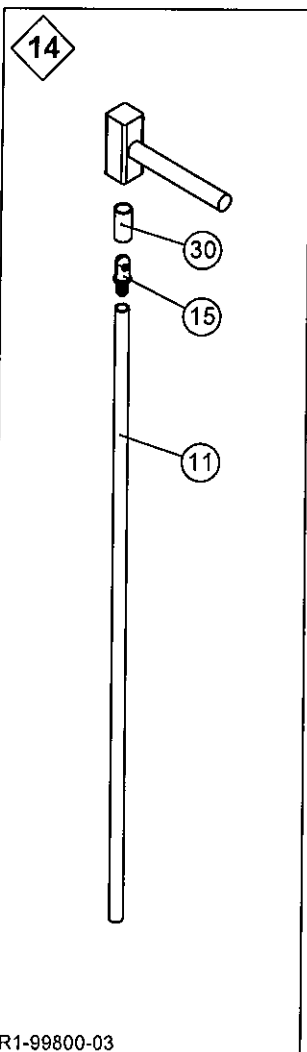
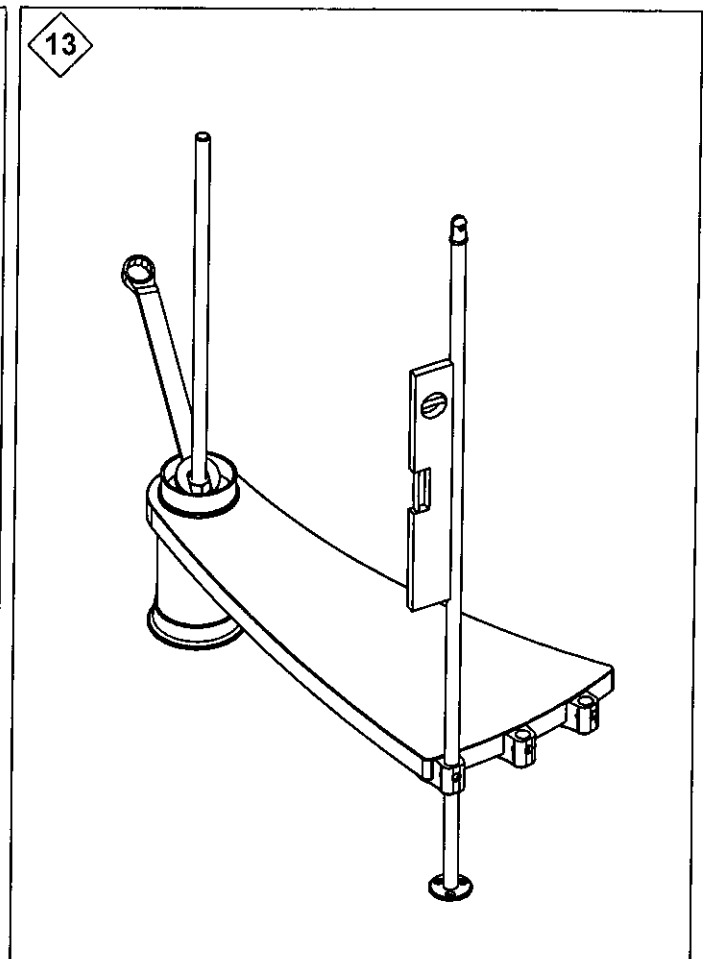
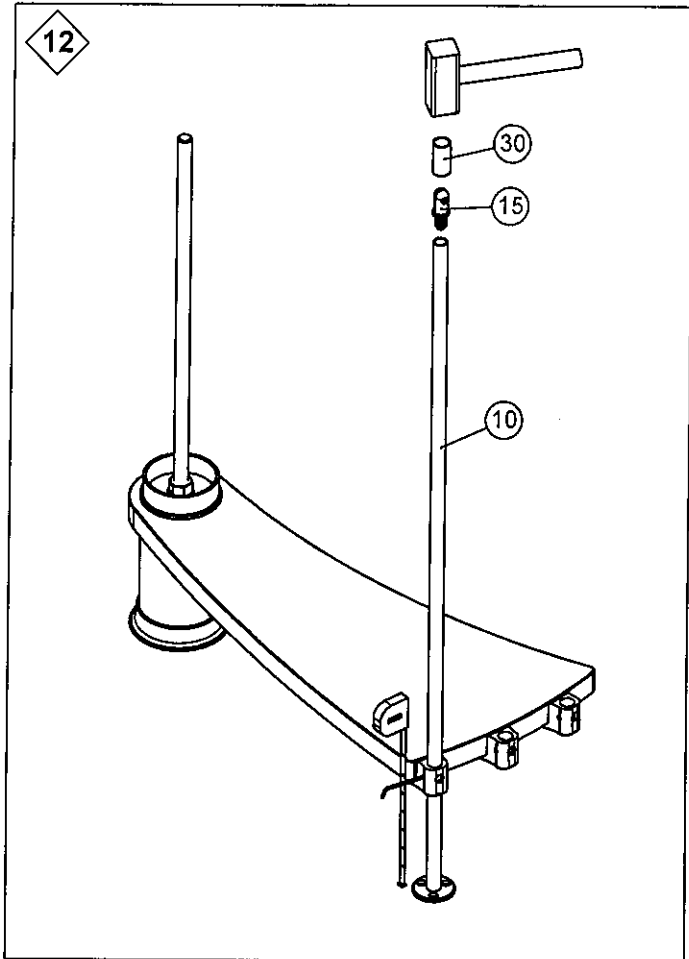
P [+1 st|pcs]

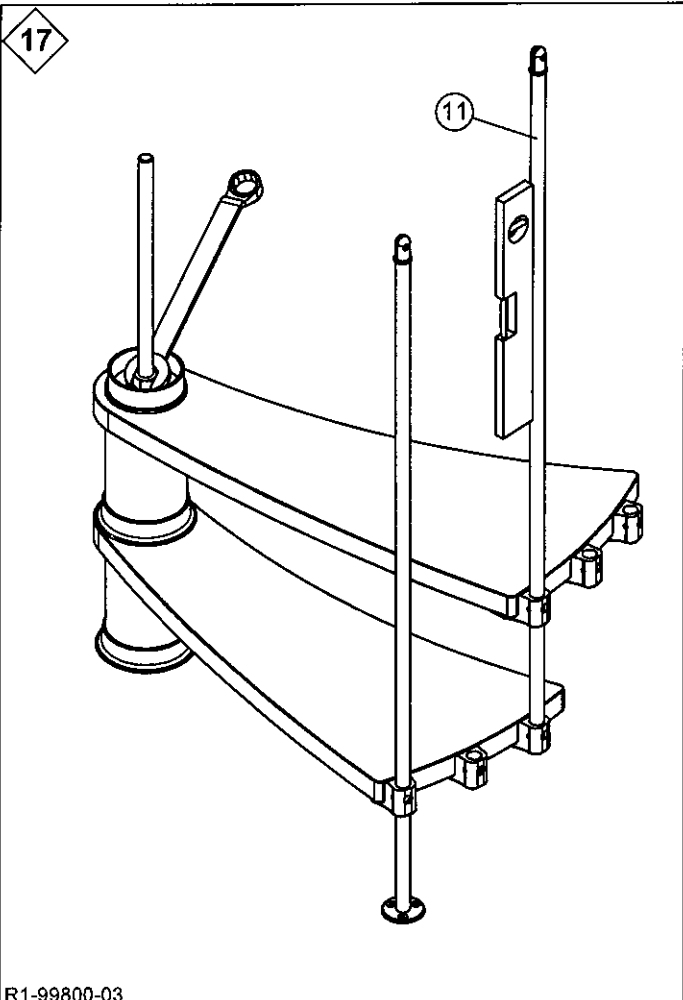
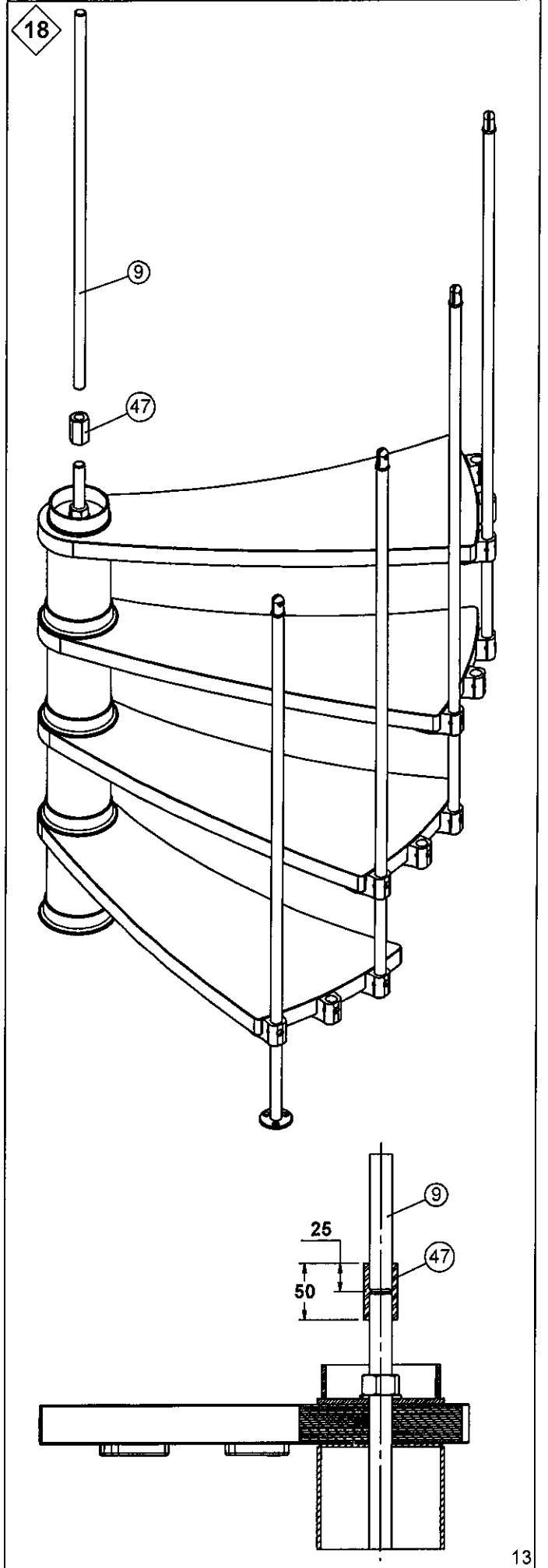
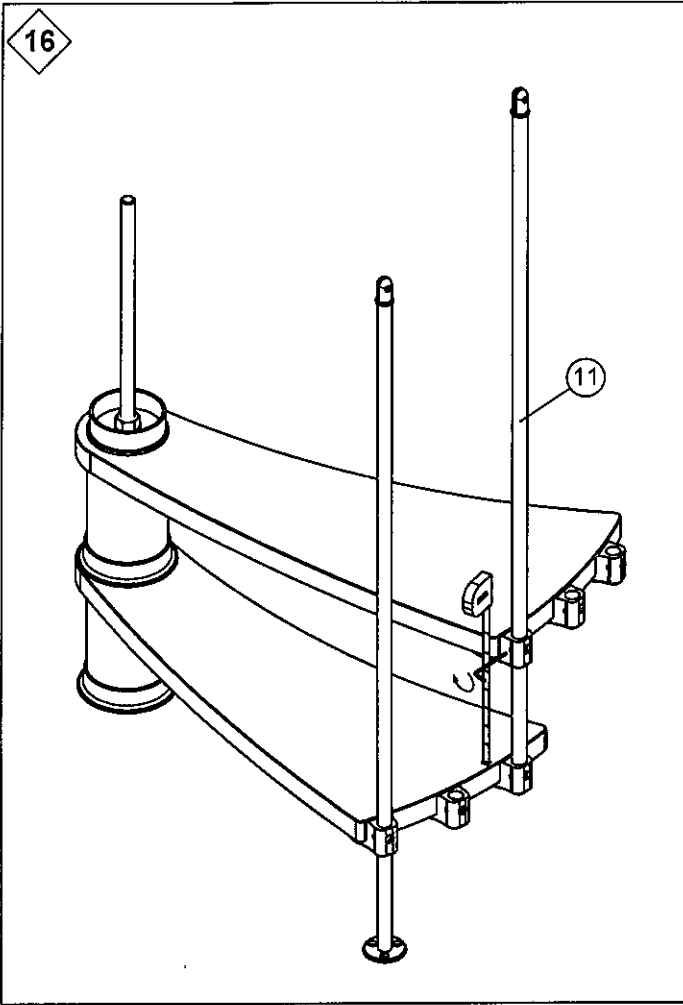
+1 x P
+1 x 3



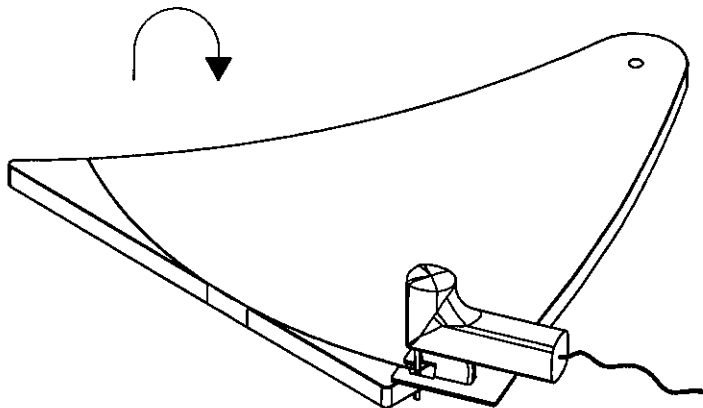
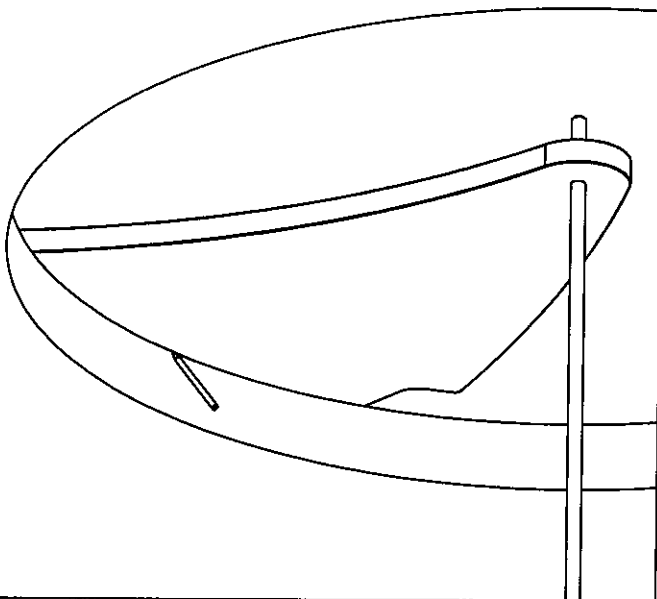
H [mm]	N	P	H [mm]	N	P	H [mm]	N	P	H [mm]	N	P	H [mm]	N	P
2600	0	0	2665	1	0	2730	2	0	2795	3	0	2860	4	0
2605	0	1	2670	1	1	2735	2	1	2800	3	1	2865	4	1
2610	0	2	2675	1	2	2740	2	2	2805	3	2	2870	4	2
2615	0	3	2680	1	3	2745	2	3	2810	3	3	2875	4	3
2620	0	4	2685	1	4	2750	2	4	2815	3	4	2880	4	4
2625	0	5	2690	1	5	2755	2	5	2820	3	5	2885	4	5
2630	0	6	2695	1	6	2760	2	6	2825	3	6	2890	4	6
2635	0	7	2700	1	7	2765	2	7	2830	3	7	2895	4	7
2640	0	8	2705	1	8	2770	2	8	2835	3	8	2900	4	8
2645	0	9	2710	1	9	2775	2	9	2840	3	9	2905	4	9
2650	0	10	2715	1	10	2780	2	10	2845	3	10	2910	4	10
2655	0	11	2720	1	11	2785	2	11	2850	3	11	2915	4	11
2660	0	12	2725	1	12	2790	2	12	2855	3	12	2920	4	12
												2925	5	0



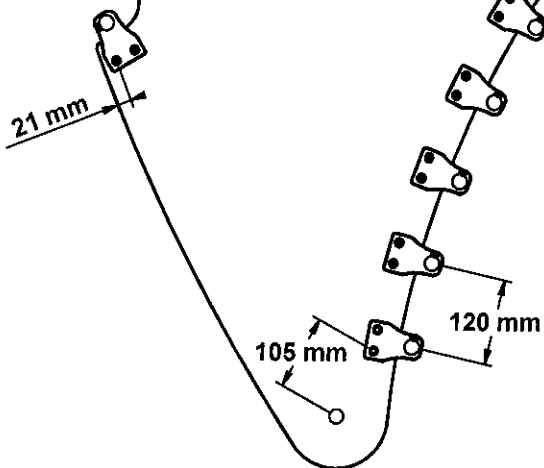




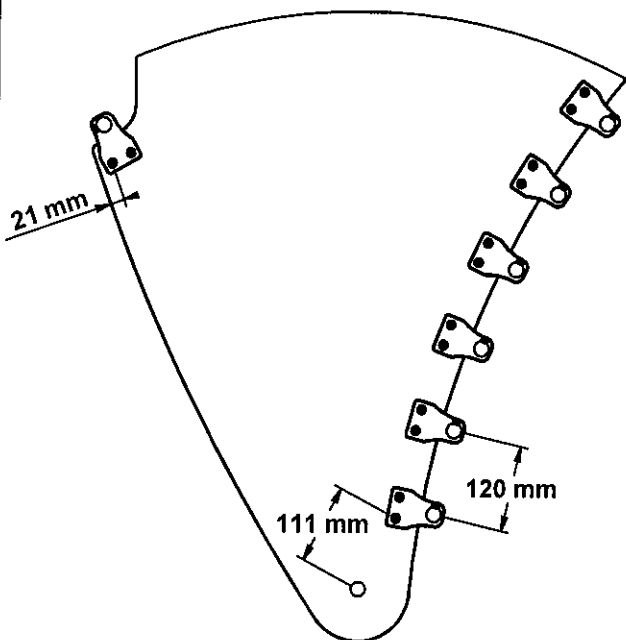
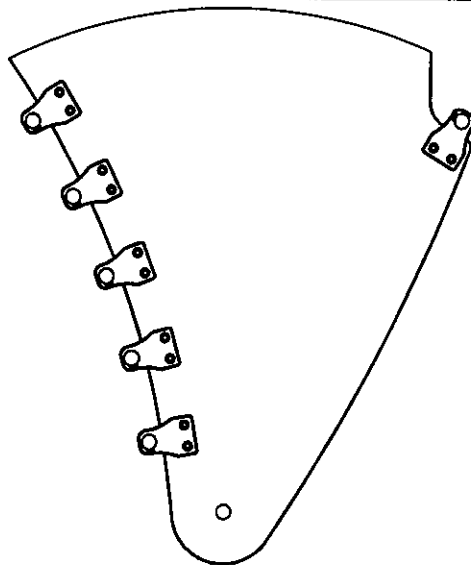
19a



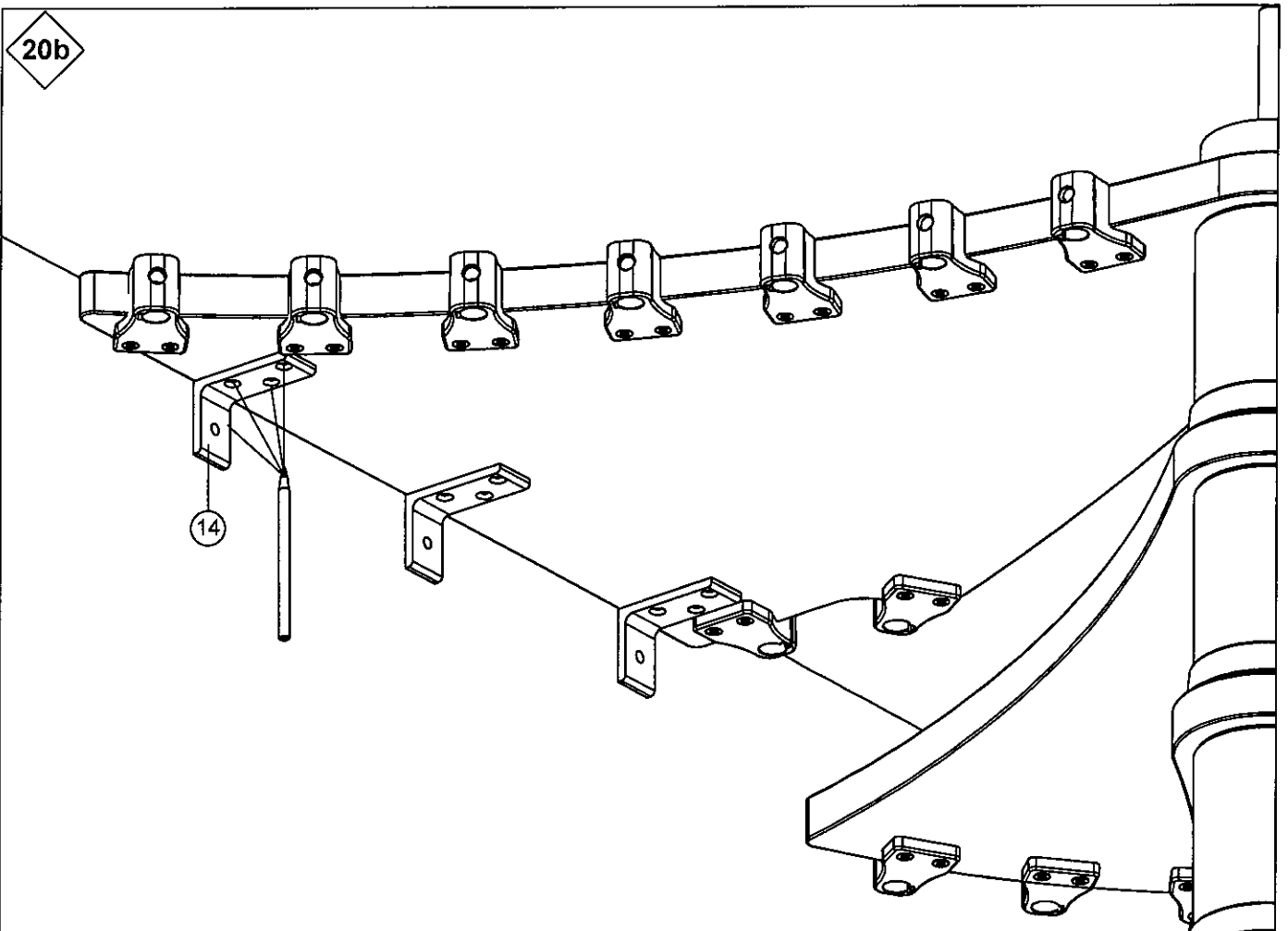
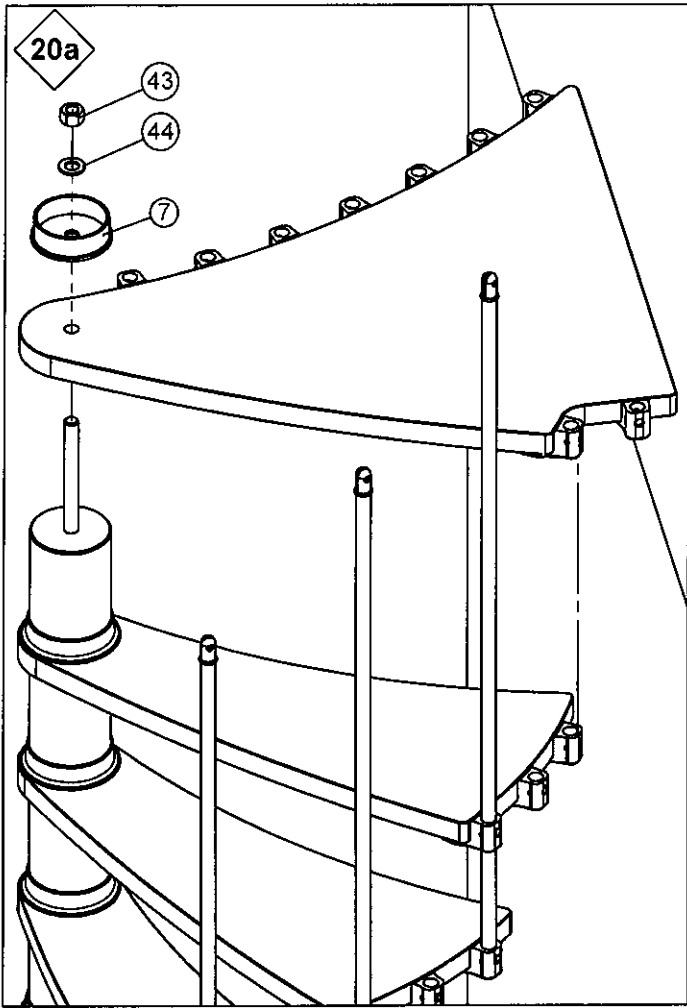
19b



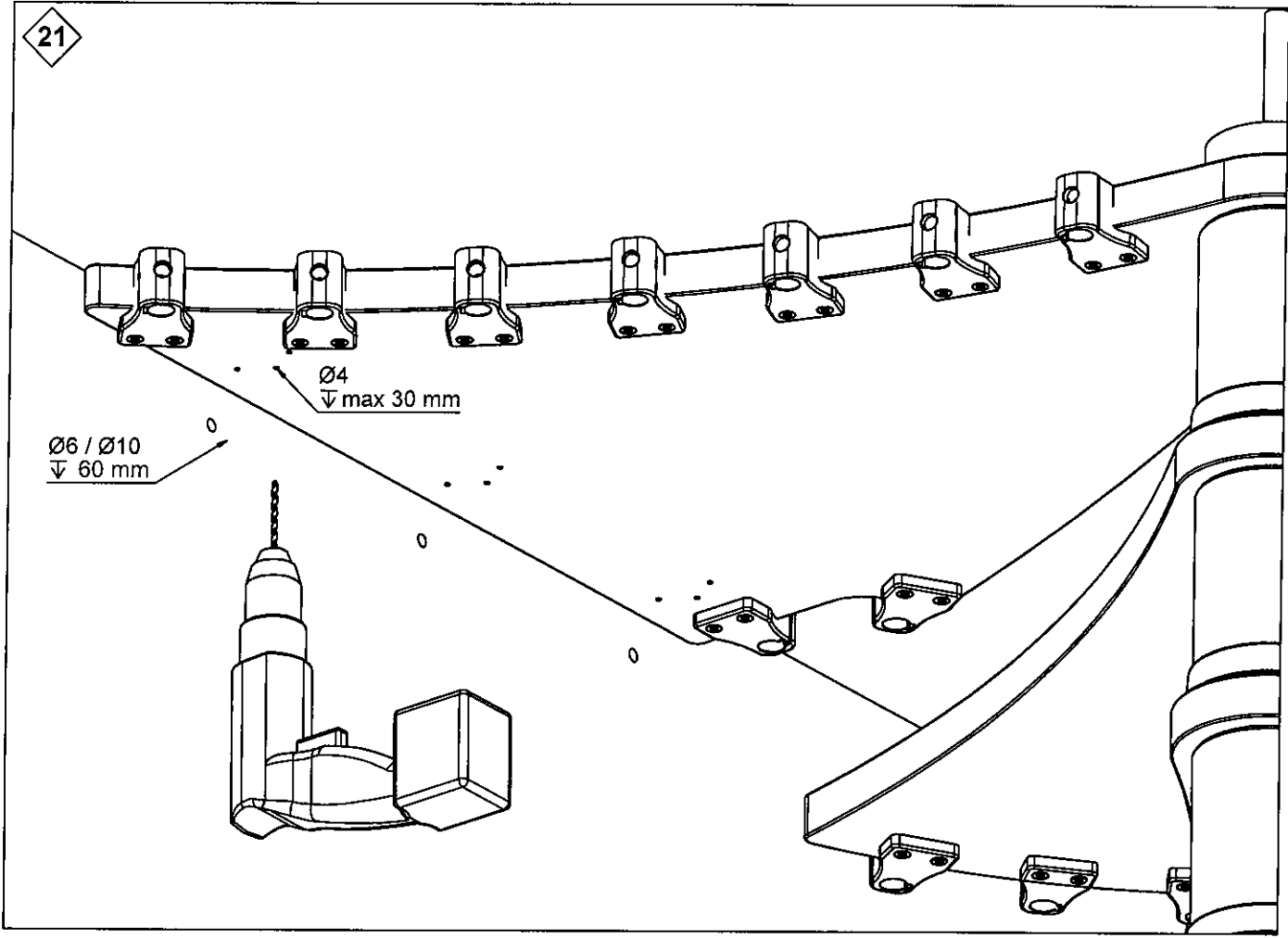
Ø130cm



Ø150cm



21



22

