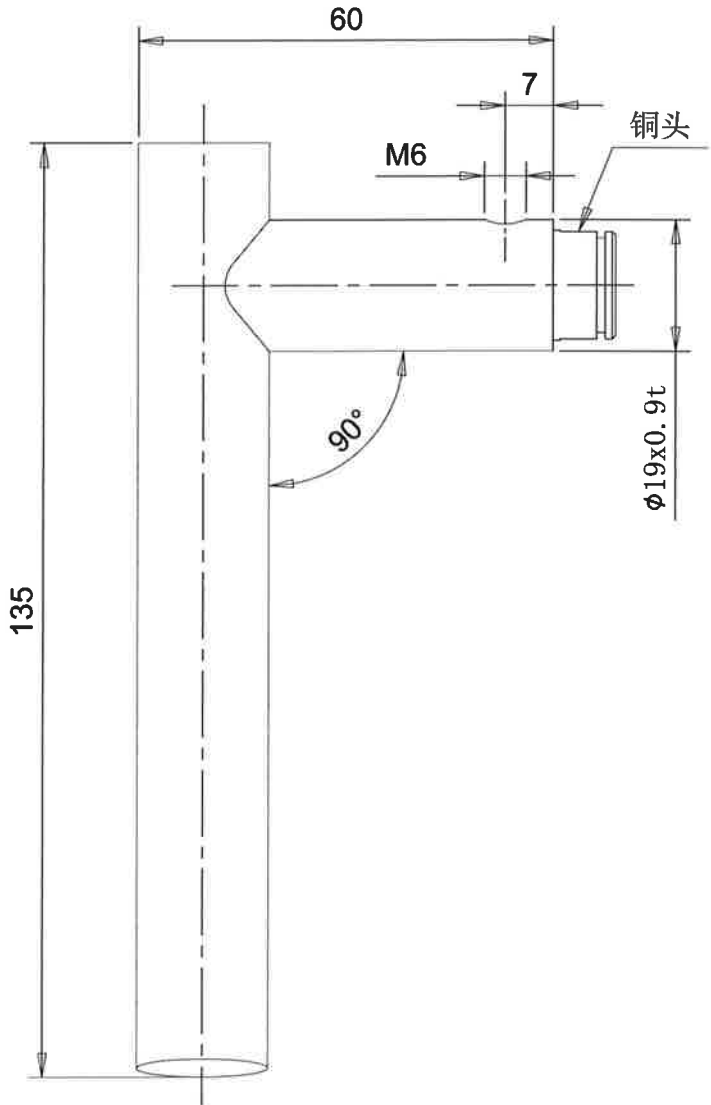
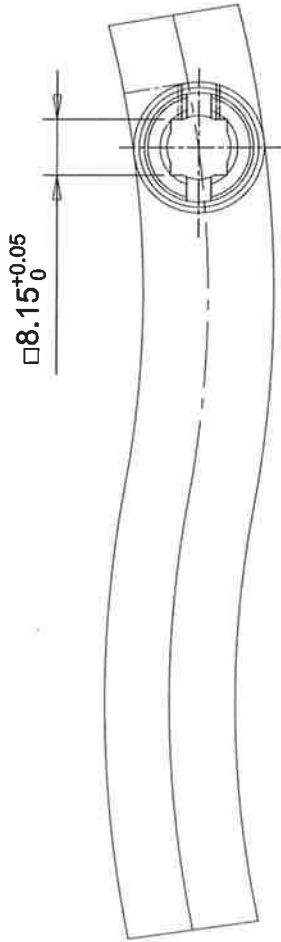


PERO



技术要求:

- 1.
- 2.
- 3.

(c)
(b)
(a)

MATERIAL:

FINISH:

LINEAR TOLERANCE:

MARK	ITEM	ECN	SIGN	DATE
DESIGN:				
		CHK'D:		
		APP'V'D:		

mm	0.1-6	>6-30	>30-120	120-315
GRADE A	+/-0.05	+/-0.1	+/-0.15	+/-0.2
GRADE B	+/-0.1	+/-0.15	+/-0.2	+/-0.3

WEIGHT:

SCALE:

PHASE MARK

TITLE:
4 DHSS-11(TH107)

REVISION:

UNITY
Unity Hardware Ltd.

PAGE:

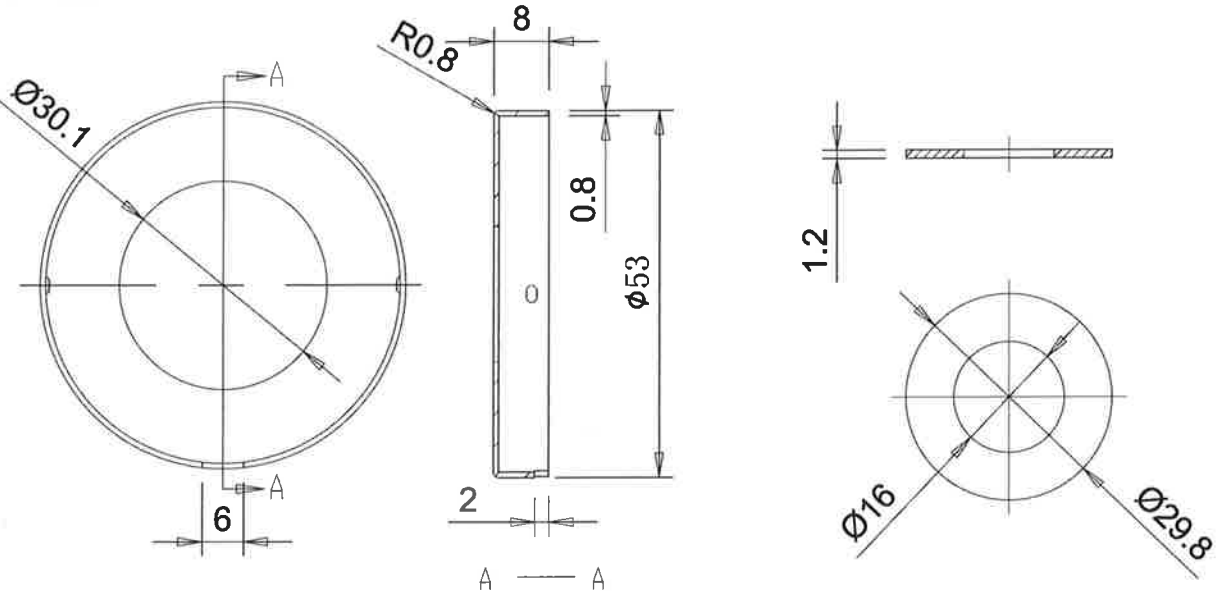
DWG NO:

A4

14th Floor, North Block, 77 Mu Xu Yuan Street, Nanjing, CHINA 210007 Tel: +86.25.86932520 Fax: +86.25.86932510
E-mail: sales@unityhardware.com

PERO

A

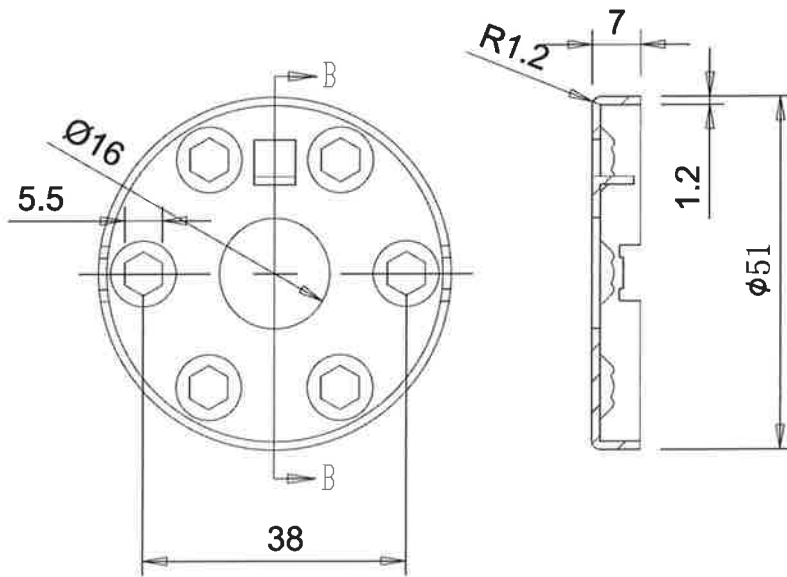


30.1孔面盖(304#)

装饰介子(304#)

B

C



底座(铁#, 镀白锌)

技术要求:

- 1.
- 2.
- 3.

③
②
①

MATERIAL:

FINISH:

LINEAR TOLERANCE:

MARK ITEM ECN SIGN DATE

mm	0.1-6	>6-30	>30-120	120-315
GRADE	A	B	C	D

DESIGN:

CHK'D:

WEIGHT:

A	+/-0.05	+/-0.1	+/-0.15	+/-0.2
B	+/-0.1	+/-0.15	+/-0.2	+/-0.3

APPV'D:

SCALE:

REVISION:

UNITY
Unity Hardware Ltd.

PHASE MARK

TITLE:

圆面盖+圆底座+装饰介子

PAGE:

DWG NO:

A4

14th Floor, North Block, 77 Mu Xu Yuan Street, Nanjing, CHINA 210007

Tel: +86.25.86932520 Fax: +86.25.86932510
E-mail: sales@unityhardware.com

1

2

3

4

D

D